

Field Service Bulletin

Product Category: Air Handlers

Topic: Soffit Mount Air Handler Drain Pans

Background:

ADP has received reports of leaking drain pans on our Soffit Mount Air Handlers. We've put the drain pan through a series of tests to determine the root cause and our analysis has concluded these 2 conditions to be the issue (separately or in combination):

1. The nylon locknut securing the drain coupling to the drain pan is not torqued adequately
2. The weight of the drain line is causing the drain coupling to deflect inside the drain pan

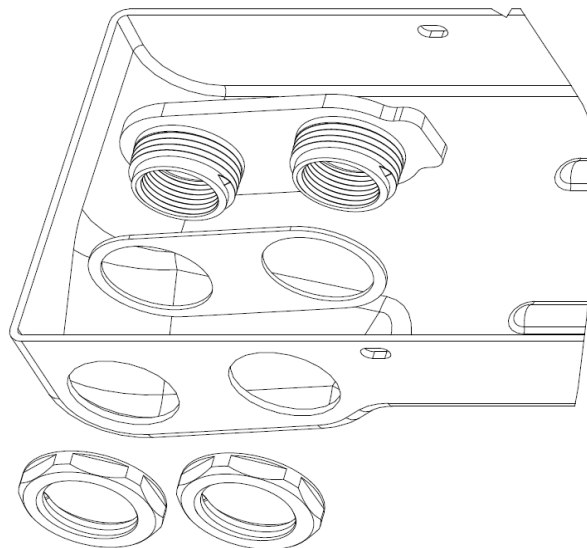
To correct the issue, first support the drain line to ensure it's perpendicular to the face of the drain pan by using a strap or other equivalent method. Follow installation instructions for proper trap, vent tee, and drain line fall. Next, torque all 4 nylon locknuts to approximately 36 in/lbs (1/2 turn past hand tight).

If there is damage to any of the parts in the coupling assembly, you can get the below service part number from your distributor to replace them. The service part contains all the parts necessary to replace the coupling assembly.

Part no: 76701626

Contents:

Qty	Description
1	DRAIN INSERT
1	WASHER
2	NYLON LOCKNUT
1	RED DRAIN PLUG
1	GREEN DRAIN PLUG



The attached Soffit Mount Instructions include modified language pertaining to the drain pan connections.

Please refer to the installation manual and specification guide for additional information on the application and installation of ADP products.