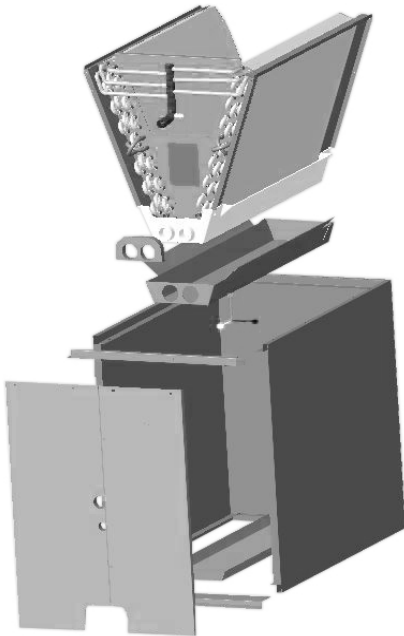


Specification Guide

Dedicated Downflow *Evaporator Coils*

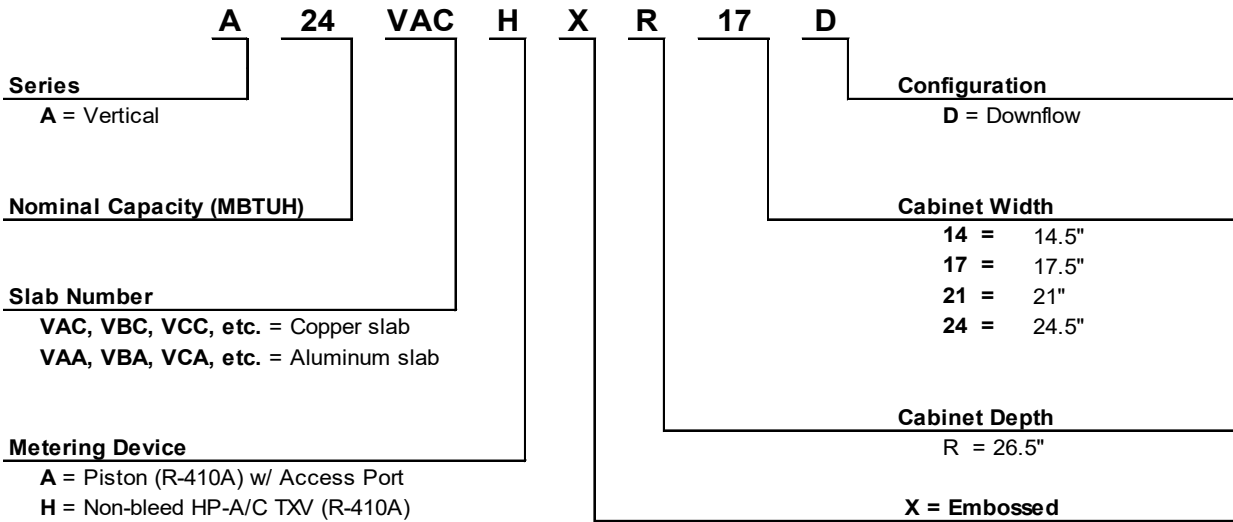


Contents	Page
Downflow Coils	
Features	2
Nomenclature	3
Specifications.....	4



Product improvement is a continuous process at Advanced Distributor Products. Therefore, product specifications are subject to change without notice and without obligation on our part. Please contact your ADP representative or distributor to verify details.
© by **Advanced Distributor Products**. All rights reserved.

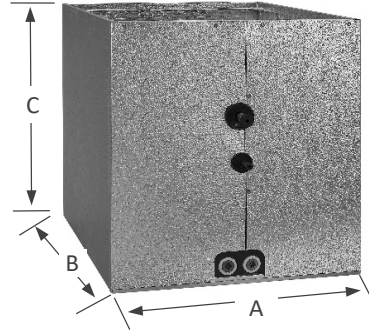
Downflow Coil Nomenclature



Downflow Coil – Cased Specifications

A = Width
B = Depth
C = Height

Supply Opening: (A - 1.5") x (B - 1.5")
Return Opening: (A - 1.0") x (B - 0.5")



C = Copper slab; A = Aluminum slab.

Dimensions / Airflow Data								Weights			
Slab Number	Nominal MBTUH	Width [A]	Depth [B]	Height [C]	Max CFM	Face Vel. [2] (fpm)	DRY Coil Air Pressure Drop (inches W.C.) by Coil Width [A]	Copper	Aluminum		
VA (C,A)	18	14.5" - 17.5"	26.5"	18"	600	205	.05	27	26		
	24				800	274	.14				
VB (C,A)	18	14.5"			23.5"	18"	600	171	.06	29	28
	24						800	229	.14		
	18	17.5"					600	171	.06		
	24						800	229	.14		
	30						1000	286	.22		
	36						1150	329	.27		
VC (C,A)	18	14.5"			27.5"	18"	600	171	.02	31	30
	24						800	229	.10		
	18	17.5"					600	171	.02		
	24						800	229	.10		
	30						1000	286	.18		
	36						1200	343	.26		
VD (C,A)	24	17.5"			27.5"	23.5"	800	196	.11	50	48
	30						1000	245	.19		
	36	21.0"					1200	294	.27		
	24						800	196	.05		
	30		1000	245			.11				
	36		1200	294			.17				
VE (C,A)	30	17.5" - 21"	27.5"	23.5"	1000	190	.17	64	61		
	36				1200	229	.25				
	42	24.5"			1400	267	.30				
	42				1400	267	.21				
	48				1600	305	.28				
	48				1200	206	.17				
VF (C,A)	36	17.5" - 21"	27.5"	23.5"	1400	240	.23	67	64		
	42				1400	240	.10				
	42	24.5"			1400	240	.10				
	48				1600	274	.14				
VG (C,A)	42	21.0"			27.5"	27.5"	1400	218	.20	70	67
	48						1600	249	.24		
	60	24.5"	1850	288			.28				
	42		1400	218			.07				
	48		1600	249			.11				
	60		1950	304			.18				
VH (C,A)	42	21.0"	27.5"	27.5"	1400	200	.20	75	72		
	48				1600	229	.26				
	60	24.5"			1900	271	.32				
	42				1400	200	.06				
	48				1600	229	.11				
	60				2000	286	.17				
VL (C,A)	42	24.5"	27.5"	27.5"	1400	200	.11	84	81		
	48				1600	229	.21				
	60				1950	286	.25				

Downflow Coil – Pallet Quantities

Cabinet Width	Pallet Qty by Cabinet Height (in)		
	18"	23.5"	27.5"
14.50"	8	8	4
17.50"	8	4	4
21.00"	2	2	2
24.50"	2	2	2

