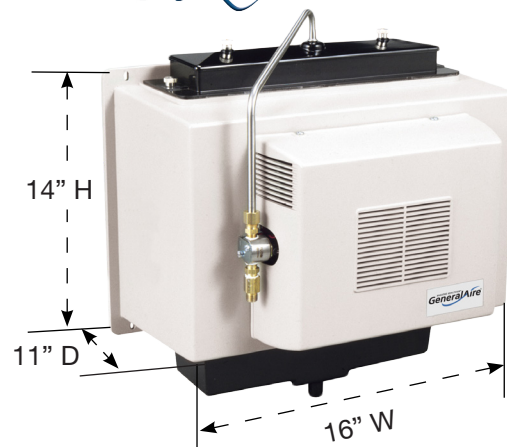


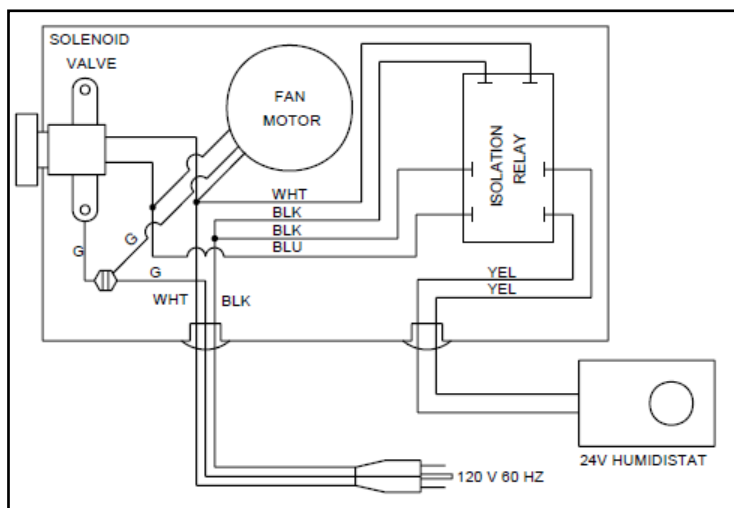
Spec Sheet

1137 (GFI #5137)	
Type	Fan Powered Flow-Through Humidifier
GPD (Based on 120° Plenum Temperature)	18
Dimensions (Inches)	14 H x 16 W x 11 D
Weight (Pounds)	19
Replacement Vapor Pad®	990-13 (GFI#7002) (Replace 1-2 Times Per Season)
Home Size (Sq. Ft.)	To 3,000
Installation	Warm Air / Return Air Plenum
Plenum Opening (Inches)	15 W X 9.75 H
Bypass Opening (Inches)	6
Pallet Quantity	21
Cabinet Construction	UV-Stable Automotive Grade Plastic
Humidistat	MHX3C
Voltage (Volts)	120
Warranty (Years)	5
In The Box	Humidifier, humidistat, Installation Instructions, Vapor Pad®, Parts Kit, Water Tube Kit, Humidistat Wire, Drain Pan, Power Supply Cord, Water Distribution Trough.



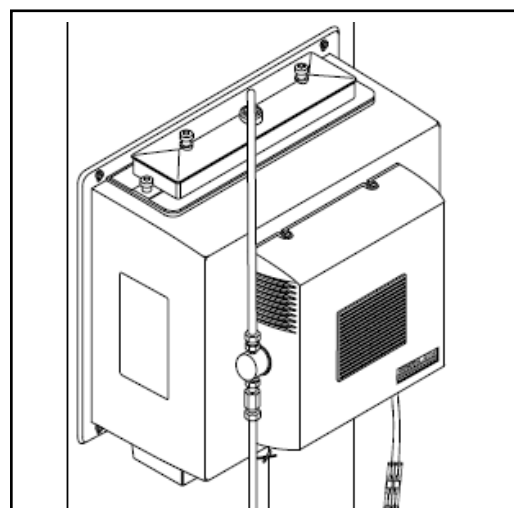
MXH3C
 Manual Humidistat
 GFI #7038
 Included

Wiring Illustration



The humidifier is connected to the 120V AC circuit through a control relay. The secondary coil of an isolation transformer, a diode and resistor supply 5-10 V DC for the control circuit which also includes the humidistat and relay coil. When the control circuit is completed by the humidistat, the relay closes, supplying 120 V to the fan motor and solenoid valve.

Typical Installation



1137 Installed on the warm air plenum.

Spec Sheet

Expected Humidity Performance Coverage in Sq. Ft. Based on Construction Type:

Model No.	GPD	Loose (0.75 AC/H)	Average (0.50 AC/H)	Tight (0.30 A/CH)
1042LH	17	800 Sq. Ft.	1500 Sq. Ft.	2800 Sq. Ft.
1099LHS	19	1175 Sq. Ft.	1770 Sq. Ft.	3000 Sq. Ft.
1137	18	1175 Sq. Ft.	1770 Sq. Ft.	3000 Sq. Ft.
SL16	17	800 Sq. Ft.	1500 Sq. Ft.	2800 Sq. Ft.

Go to [www.generalaire.com / support / humidification calculator](http://www.generalaire.com/support/humidification-calculator) to assist in humidifier selection.

Humidifier Performance Baseline Criteria

Outside Design Temp.	0°F (-18°C)
Outside Design R.H.	70% R.H.
Inside Design Temp.	70°F (21°C)
Inside Design R.H.	30% R.H.
Air Changes / Hour (AC/H)	0.30
Ceiling Height	8 ft.
Furnace Plenum Temp.	120°F (49°C)
Furnace Run Time for Calculating Sq. Ft.	8 Hr. / Day

Recommended Settings:

At Outside Temperature		Recommended Setting
-20°F	-29°C	15%
-10°F	-23°C	20%
0°F	-18°C	25%
10°F	-12°C	30%
20°F	-7°C	35%
30°F	-1°C	40%

Use Plastic Tubing for
Cold Water Supply

Use Copper Tubing for
Hot Water Supply

Our Brands



43800 Grand River Avenue
 Novi, Michigan 48375
 Toll Free: (866) 476-5101
www.generalaire.com



400 Midwest Rd.
 Toronto, ON M1P3A9 Canada
 Toll Free: (888) 216-9184
www.cgfproducts.com

Last Updated: 7-2020

Download online at: www.generalfilters.com/literature/spec/submittal. All information subject to change without notice.