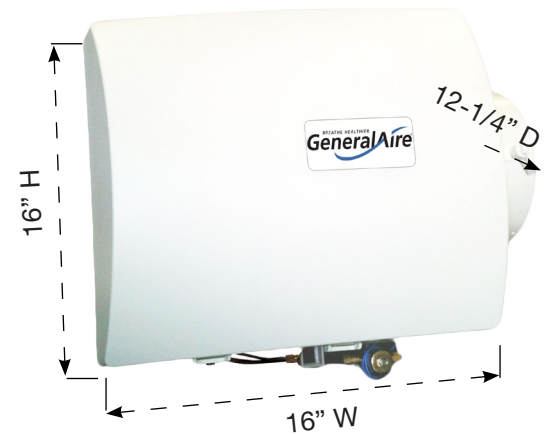


GeneralAire® Models 1099LHS
 Flow Through Humidifier

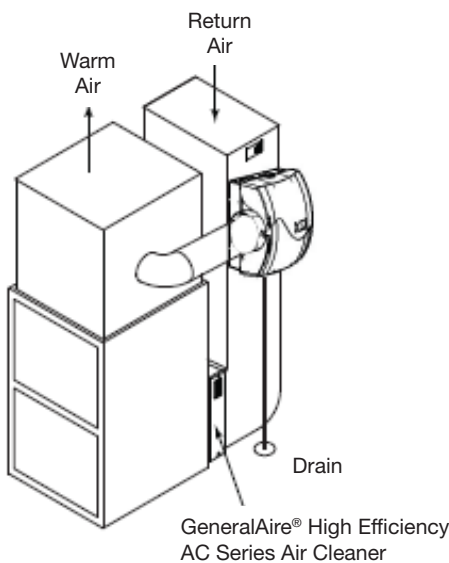
Spec Sheet

1099LHS (GFI #5015)	
Type	Flow-Through Humidifier
GPD (Based on 120° Plenum Temperature)	19
Dimensions (Inches)	16 H x 16 W x 12-1/4 D
Weight (Pounds)	15
Replacement Vapor Pad®	1099-20 (GFI#7047) (Replace 1-2 Times Per Season)
Home Size (Sq. Ft.)	To 3,000
Installation	Warm Air Plenum / Right of Left Side
Plenum Opening (Inches)	14-1/8 W X 12 H
Bypass Opening (Inches)	7
Pallet Quantity	16
Cabinet Construction	UV-Stable Automotive Grade Plastic
Humidistat	MHX3C
Voltage (Volts)	24
Warranty (Years)	5
In The Box	Humidifier, humidistat, Installation Instructions, Vapor Pad®, Parts Kit, Saddle Valve, 7" Connecting Collar, 24V Transformer.

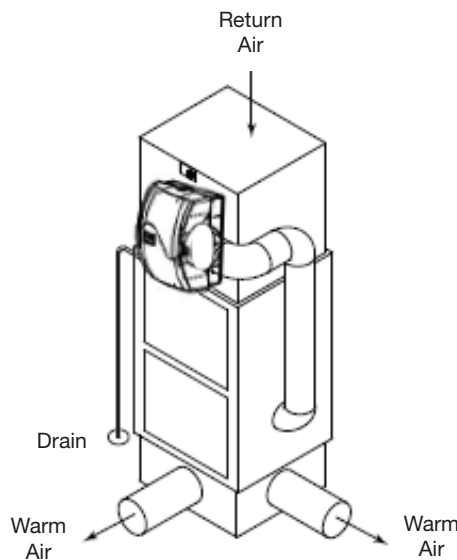


MXH3C
 Manual Humidistat
 GFI #7038
 Included

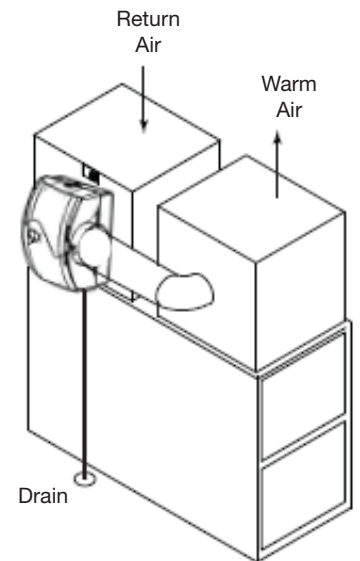
Typical Installation



High Boy



Counter Flow



Low Boy

Spec Sheet

Expected Humidity Performance Coverage in Sq. Ft. Based on Construction Type:

Model No.	GPD	Loose (0.75 AC/H)	Average (0.50 AC/H)	Tight (0.30 A/CH)
1042LH	17	800 Sq. Ft.	1500 Sq. Ft.	2800 Sq. Ft.
1099LHS	19	1175 Sq. Ft.	1770 Sq. Ft.	3000 Sq. Ft.
1137	18	1175 Sq. Ft.	1770 Sq. Ft.	3000 Sq. Ft.
SL16	17	800 Sq. Ft.	1500 Sq. Ft.	2800 Sq. Ft.

Go to [www.generalaire.com / support / humidification calculator](http://www.generalaire.com/support/humidification-calculator) to assist in humidifier selection.

Humidifier Performance Baseline Criteria

Outside Design Temp.	0°F (-18°C)
Outside Design R.H.	70% R.H.
Inside Design Temp.	70°F (21°C)
Inside Design R.H.	30% R.H.
Air Changes / Hour (AC/H)	0.30
Ceiling Height	8 ft.
Furnace Plenum Temp.	120°F (49°C)
Furnace Run Time for Calculating Sq. Ft.	8 Hr. / Day

Recommended Settings:

At Outside Temperature		Recommended Setting
-20°F	-29°C	15%
-10°F	-23°C	20%
0°F	-18°C	25%
10°F	-12°C	30%
20°F	-7°C	35%
30°F	-1°C	40%

Use Plastic Tubing for
Cold Water Supply

Use Copper Tubing for
Hot Water Supply

Our Brands



43800 Grand River Avenue
 Novi, Michigan 48375
 Toll Free: (866) 476-5101
www.generalaire.com



400 Midwest Rd.
 Toronto, ON M1P3A9 Canada
 Toll Free: (888) 216-9184
www.cgfproducts.com

Last Updated: 7-2020

Download online at: www.generalfilters.com/literature/spec/submittal. All information subject to change without notice.

PURE MICHIGAN™