



AireShare™ Ventilator Specification Sheet

Models AS1 and AS1P



Job Name: _____

Equipment Rep: _____

Contractor: _____

Tjernlund Contact: _____

Arch./Engr.: _____

Date: _____

Description:

Low sone, cross-flow blower quietly moves conditioned air through the wall cavity from one room to an adjacent room. Design allows for intake and diffuser to be located high or low or almost directly across from one another.

Blower Grille:

22 gauge aluminized steel. Washable powder coat with satin white finish. Can be repainted.

Diffuser:

20 gauge aluminized steel with attached adjustable-fit flanges. Unexposed built-in turning vane. Washable powder coat with satin white finish. Can be repainted.

Blower:

Cross-flow blower. Factory balanced for quiet operation.

Motor:

C-Frame motor. Bearings designed for 32,000 operating hours.

Supply Power:

AS1: Installer supplied to the AS1 electrical box. Industry standard 7/8" electrical knockouts located on the top and bottom for ease of installation. Add a 120 VAC wall switch or thermostat to turn on/off.

AS1P: Power cord factory installed and pre-wired. Requires installation adjacent to a standard electrical outlet. Built-in on/off switch.

Installation Notes:

When installed between metal studs all knockouts should be plugged or sealed.

Device shall NOT be installed in an exterior wall.

Device shall NOT be installed in a fire-rated wall.

Warranty:

One (1) year material and workmanship.

Specifications:

Model	Volts	Amps	Watts	RPM	Sones, dB	CFM
AS1	120	.50	25	1800	1.15, 42dB	75
AS1P	120	.50	25	1800	1.42, 45dB	75



Typical Specification:

Device shall be Tjernlund Model AS1 or AS1P.

Device shall move air using a vibration isolated, cross-flow blower.

Diffuser shall be equipped with a built-in turning vane.

Diffuser shall have a discharge deflector with an angle of 15° to the horizontal.

Device shall have a sound level no greater than 1.5 Sones.

Power consumption of device shall be no greater than 30 watts.

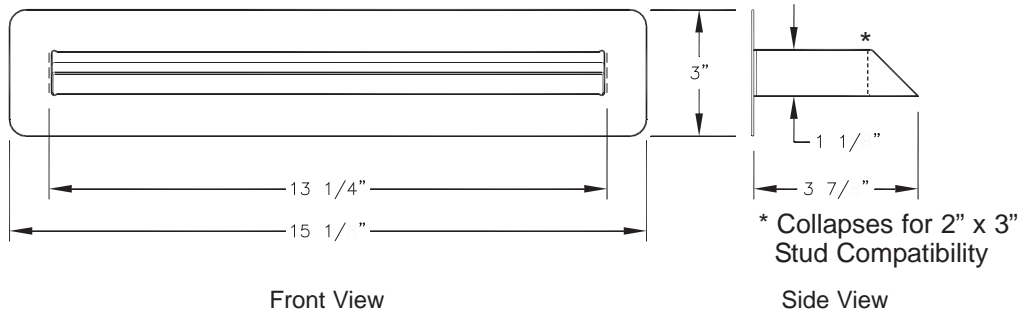
Device shall have no power cord exposed outside the wall in which it is installed.

Device shall be Listed in the USA to ANSI/UL 507 and in Canada to CSA C22.2 #113-M.



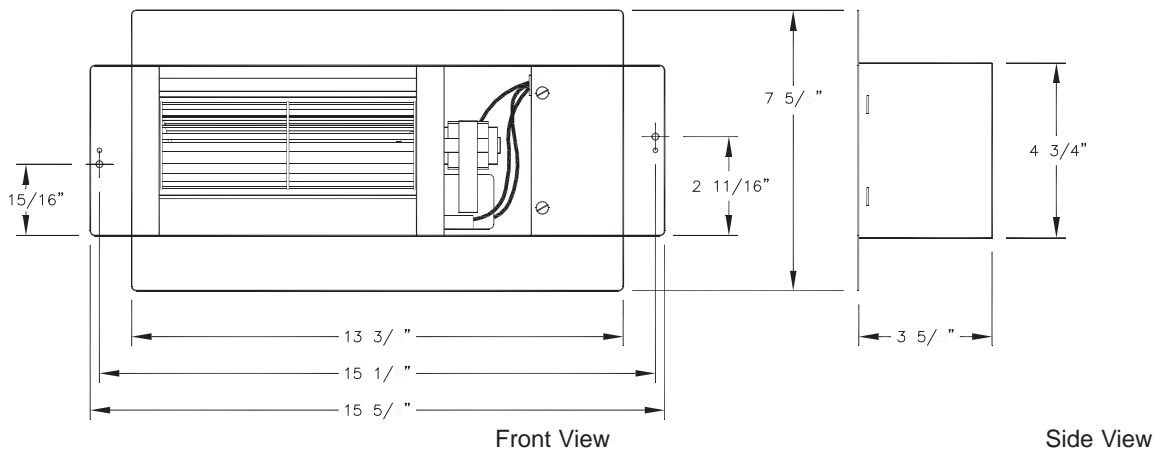
Models AS1 and AS1P Dimensions

AS1 and AS1P Diffuser



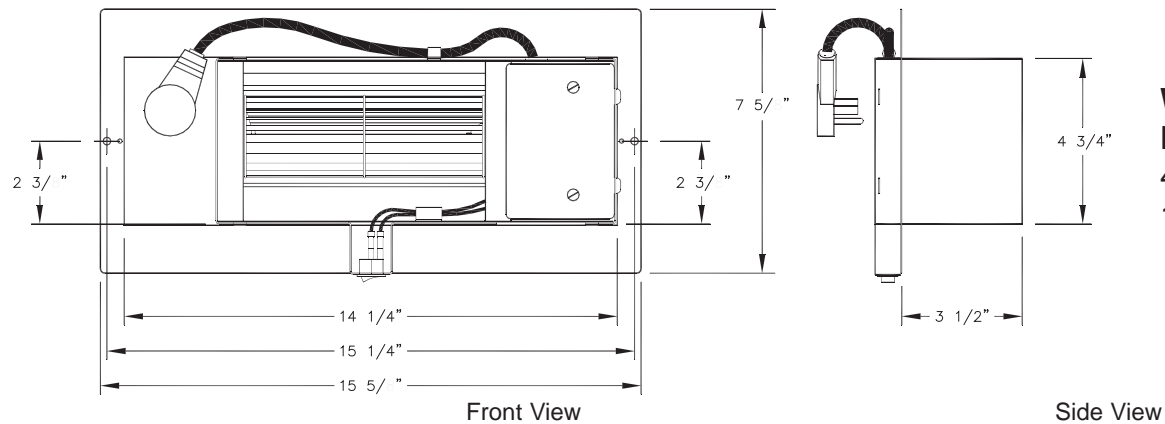
**Wall Opening
Rough-In**
1 1/4" Height
13 5/8" Width

AS1 Blower Housing



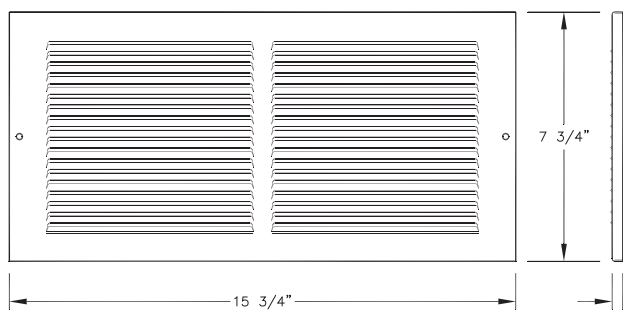
**Wall Opening
Rough-In**
4 7/8" Height
13 7/8" Width

AS1P Blower Housing



**Wall Opening
Rough-In**
4 7/8" Height
12" Width

AS1 Blower Grille



AS1P Blower Grille

