

**OWNERS INSTRUCTIONS**  
**THESE INSTRUCTIONS**  
**MUST REMAIN**  
**WITH EQUIPMENT**  
**DO NOT DESTROY**



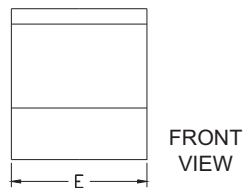
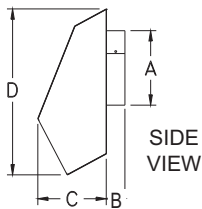
## TJERNLUND PRODUCTS, INC.

1601 Ninth Street • White Bear Lake, MN 55110-6794  
 PHONE (800) 255-4208 • (651) 426-2993 • FAX (651) 426-9547  
 Visit our web site • www.tjernlund.com

### MODELS DEVH8, DEVH12 EXHAUST HOODS WITH BUILT-IN FLAPPER



#### DIMENSIONS AND ROUGH-IN OPENING



MODEL	DIMENSIONS					ROUGH-IN DIMENSIONS
	A DIA.	B	C	D	E	
DEVH8	8"	2"	7 1/2"	19"	16 1/2"	8 1/2" DIA.
DEVH12	12"	2"	7 1/2"	19"	16 1/2"	12 1/2" DIA.

#### WARNINGS AND RESTRICTIONS

Follow your Local or State mechanical code for exterior termination clearances for commercial dryer exhaust. Termination should not be installed where lint laden exhaust can re-enter the structure through doors, windows or air intakes.

The DEVH Series Exhaust Hoods have a built-in flapper. **DO NOT** install wire mesh or screen in exhaust duct opening.

**DO NOT** exhaust into an enclosed, unventilated area such as an attic wall, ceiling, crawl space under a building or concealed space of a building. **DO NOT** exhaust into window wells, gas vents or chimneys.

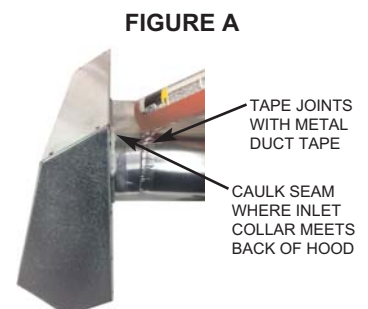
Dryer exhaust ducts must be assembled so the inside of ducts are smooth. **DO NOT** use sheet metal screws to join sections. Aluminum duct tape is preferred.

The DEVH Series Exhaust Hood must be mounted a minimum of 1 foot above ground or other obstructions.

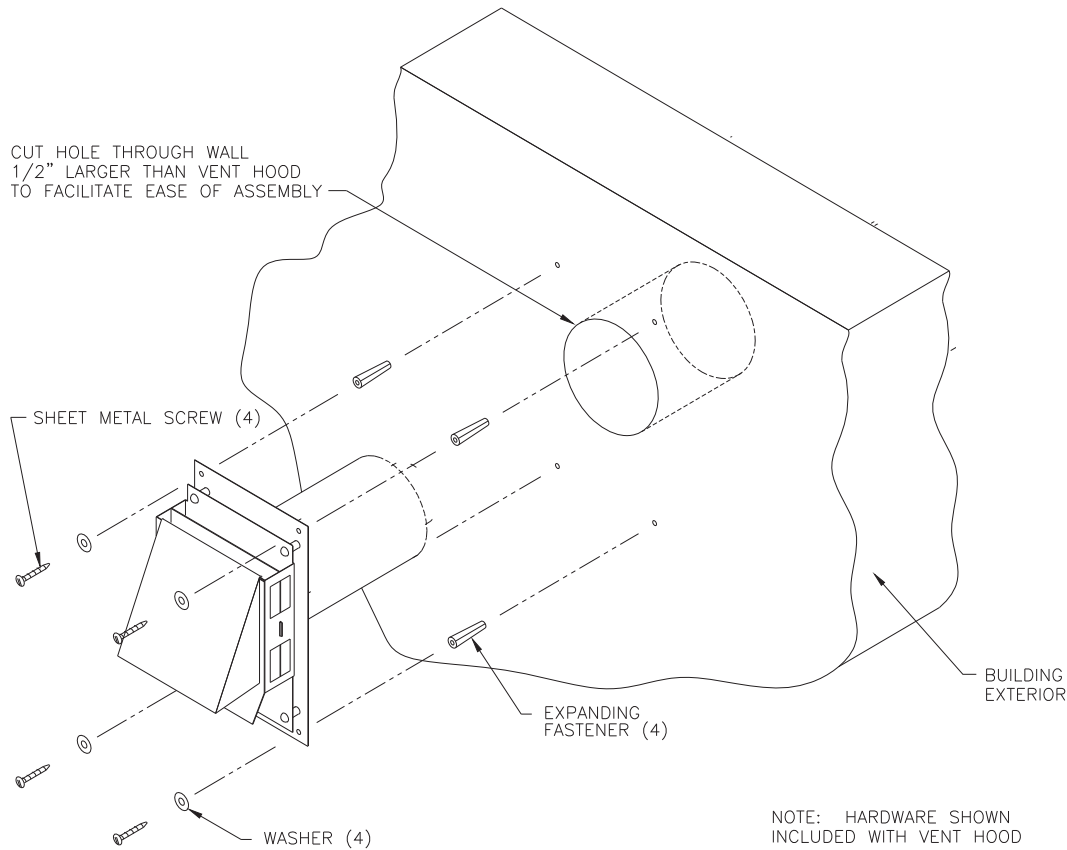
#### INSTALLATION

Follow your Local or State mechanical code for exterior termination clearances for commercial dryer exhaust. Termination should not be installed where lint laden exhaust can re-enter the structure through doors, windows or air intakes.

1. Install a section of pipe on the Exhaust Hood inlet collar with aluminum duct tape. Apply a bead of silicone caulking where 2" inlet collar is attached to back of hood plate to seal inlet collar seam before inserting through wall, (See Figure A).



2. Cut rough-in opening 1/2" larger than DEVH Series Hood inlet collar diameter to facilitate installation.
3. Slide hood with attached section of pipe through opening from outside. Level Exhaust Hood and fasten with provided anchors and screws.
4. Seal all vent pipe connections between the Dryer Duct Booster® and Exhaust Hood with aluminum duct tape to prevent flue gas or lint laden air leakage.



## MAINTENANCE

The vent system must be inspected regularly. Points of inspection are as follows.

1. Exhaust Hood should be free from foreign material and cleaned periodically. Flapper should be clean of lint or debris so that it opens and closes freely.
2. Structural integrity of the Exhaust Hood should be maintained so as not to reduce vent discharge opening.
3. Check all vent system connections for leakage and re-seal where needed. If any vent pipe shows signs of deterioration, replace immediately and check new connections for possible leaks. Re-seal with aluminum duct tape to prevent flue gas or lint laden air leakage.

### TJERNLUND LIMITED ONE YEAR WARRANTY

Tjernlund Products, Inc. warrants to the original purchaser of this product that the product will be free from defects due to faulty material or workmanship for a period of (1) year from the date of original purchase or delivery to the original purchaser, whichever is earlier. Remedies under this warranty are limited to repairing or replacing, at our option, any product which shall, within the above stated warranty period, be returned to Tjernlund Products, Inc. at the address listed below, postage prepaid. THERE ARE NO WARRANTIES WHICH EXTEND BEYOND THE DESCRIPTION ON THE FACE HEREOF, AND TJERNLUND PRODUCTS, INC. EXPRESSLY DISCLAIMS LIABILITY FOR INCIDENTAL OR CONSEQUENTIAL DAMAGES ARISING FROM THE USE OF THIS PRODUCT. THIS WARRANTY IS IN LIEU OF ALL OTHER EXPRESS WARRANTIES AND NO AGENT IS AUTHORIZED TO ASSUME FOR US ANY LIABILITY ADDITIONAL TO THOSE SET FORTH IN THIS LIMITED WARRANTY. IMPLIED WARRANTIES ARE LIMITED TO THE STATED DURATION OF THIS LIMITED WARRANTY. Some states do not allow limitation on how long an implied warranty lasts, so that limitation may not apply to you. In addition, some states do not allow the exclusion or limitation of incidental or consequential damages, so that above limitation or exclusion may not apply to you. This warranty gives you specific legal rights and you may also have other rights which may vary from state to state. Send all inquiries regarding warranty work to Tjernlund Products, Inc. 1601 9th Street, White Bear Lake, MN 55110-6794. Phone (651) 426-2993 • (800) 255-4208 • Fax (651) 426-9547 or email us at fanmail@tjfans.com.