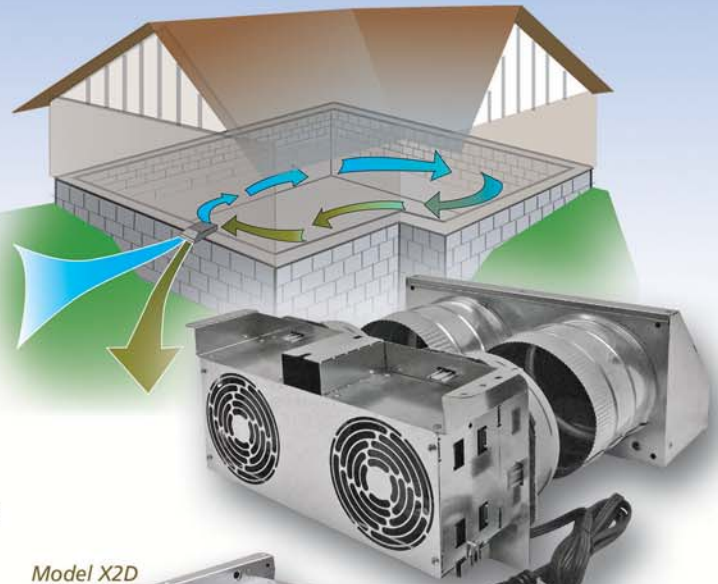




XCHANGER™

Reversible Basement Ventilation Fans

Improve indoor air quality. Cure damp-musty basements & crawl spaces



Model X2D

Model X2R

Many homes have basements that are stale, musty or smelly because of:

- Seasonal water issues, sump pits & floor drains
- General lack of air exchange or ventilation
- Crawl spaces without ventilation

The musty smell that many basements have is caused by off-gassing of molds that thrive when humidity is in excess of 60% RH.

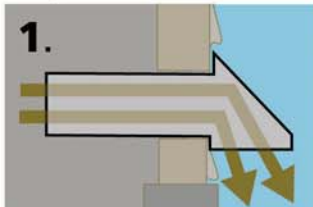
The Reversible XchangeR Basement Fans are the economical and simple way to automatically ventilate your basement to eliminate odors and reduce humidity.

Fans use only 40 watts compared to over 1,000 watts for the typical dehumidifier. Save over \$100 per year in electrical costs.

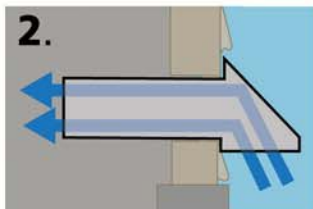


Three Air Flow Options

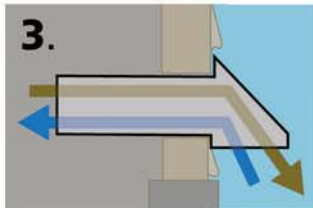
Easily reverse the direction of the airflow to:



1. Exhaust musty air



2. Supply fresh air



3. Or position one fan in each direction for balanced air exchange with no bypass from either air stream

To Reverse Air Flow (Model X2D shown)



Pull Fan Out



Rotate Fan 180°



Push Fan Back In

Also use the XchangeR to:

- Comply with residential ventilation requirements of ASHRAE 62.2-2007
- Supply make-up air for stoves or fireplaces
- Ventilate hot garages, storage areas & workshops
- Keep closed up cabins or vacation homes fresh
- Dilute basement radon levels

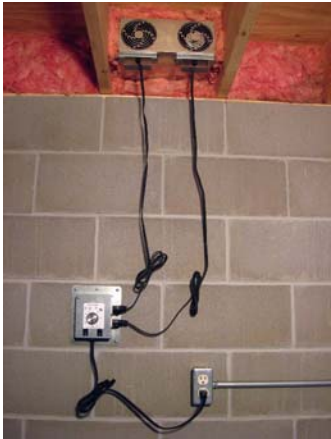


Proudly Made in the U.S.A.

Simple Installation

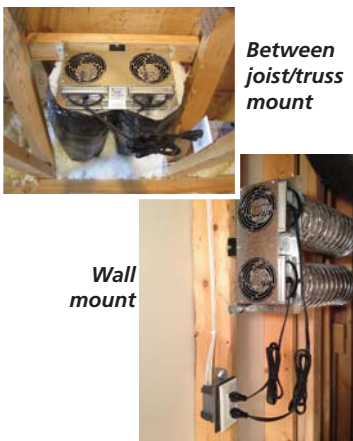
Model X2D

Use X2D in applications with rooms located along an exterior wall. Includes dehumidistat control and magnetic draft stops. Install X2D through a 12 1/4 x 5 1/4 inch opening in a basement rim joist or any outside wall. Plug the XchangeR fans into included dehumidistat control and plug the control into a standard outlet.

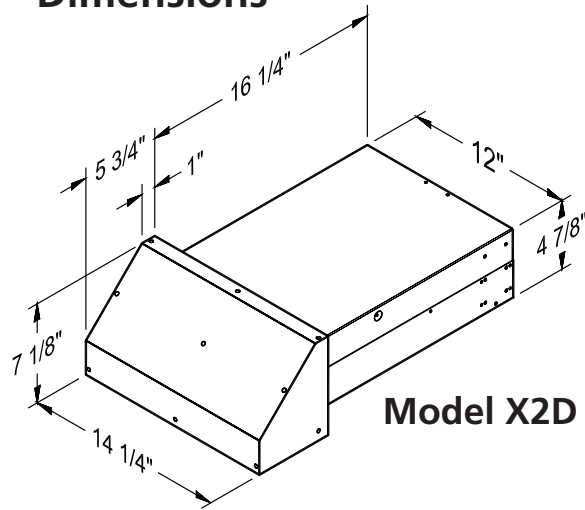


Model X2R

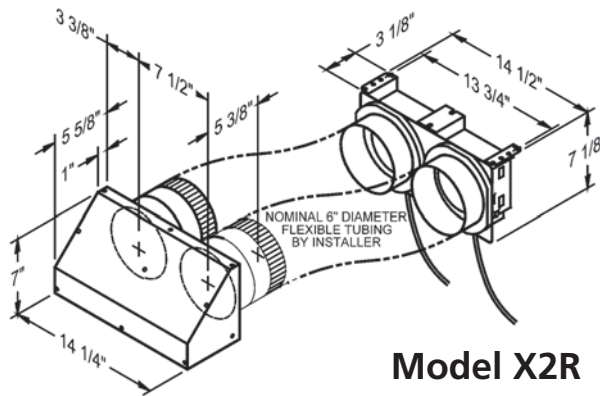
Use X2R in applications where outside hood must be ducted to the room X2R is installed in. Mount X2R below or between floor joists / trusses or secure to wall in any orientation for installation flexibility. Install hood through 13 3/4 x 6 1/2 inch oval opening. The X2R includes magnetic draft stops but does not include a dehumidistat control so that it can be paired with the control best suited for the application.



Dimensions



Model X2D



Model X2R

Specifications Model X2D & X2R

	1 Fan	2 Fans
Voltage	120	120
Watts	20	40
Amps	0.3	0.6
CFM	90	180

CFM performance complies with requirements of ASHRAE 62.2-2007 for homes up to 7,500 Ft² and 7 bedrooms. Reference the 62.2-2007 standard and local building codes for specific ventilation rates and methods.

Quality galvanized steel construction.

Easy Maintenance

Rugged outdoor hood with easy to remove and clean screen.



Optional Accessories

Add the SCP plug-in speed control for variable performance or use any plug-in timer to cycle as desired.

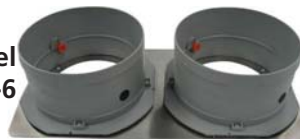
Model SCP



If using the XchangeR in an enclosed utility room with chimney-vented heating equipment, use the optional DT2-6 6" duct take-off and G-6 diffusers to pull exhaust air from an adjacent room.



Model DT2-6



- SWR Switch-It Wireless 120v Outlet
- G-6 6" White Plastic Exhaust / Intake Grille
- BD-6 6" Spring Return Back Draft Damper (for use with X2R)

Model X2D Includes Automatic Dehumidistat Control

Turn either fan on or off and automatically operate your basement fan by adjusting the dehumidistat control to the level needed. Rotate the dial fully clockwise for constant operation. For X2R models, order optional DH2P Control.



Available From:



For more info



TJERNLUND PRODUCTS, INC.

1601 Ninth Street White Bear Lake, MN 55110-6794
 Phone: 651.426.2993 800.255.4208 Fax: 651.426.9547
 Visit our web site: tjernlund.com fanmail@tjfans.com

Copyright © 2014 Tjernlund Products, Inc. All rights reserved. P/N 8500721 Rev C