



Sure Dry™ Shower Drying Systems



**Tired of constant shower scrubbing and grout cleaning?
Accelerate surface drying time up to 80% to minimize mold and mildew growth and grout damage!**



Don't let your new shower end up looking like this!

Problem:

Lingering moisture on tiled showers is a source of mold & mildew growth on grout, door moldings and in caulked corners. It also shortens grout life.

Solution:

Sure Dry™ systems quietly circulate dry air from an adjoining room, closet or cabinet into the shower enclosure to efficiently dry caulk, grout, tile and glass. Result: grout life is extended; mold and mildew growth is minimized to keep the shower looking like new.

- Reduces use of harsh chemical cleaners necessary to clean tile and grout.
- Increases time between grout cleaning, sealing or complete re-grouting of the shower.
- Reduces mold & mildew growth on glass partition and door seals to prolong seal life.
- Clears fog off of shower glass sooner so view of tile can be enjoyed.

Two Sure Dry™ Models Available

Model SD140



*Thru-wall
mount – air
transfer from
adjoining
room*

*Remote
mount – fan
mounted in
attic or
adjoining
cabinet*

Model SD200



Not suitable for use on steam showers.

Sure Dry™ Shower Drying Systems



Sure Dry Kits include everything needed for installation:



SD140 Thru-Wall Installation

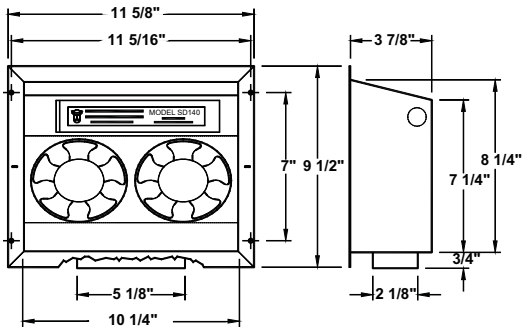
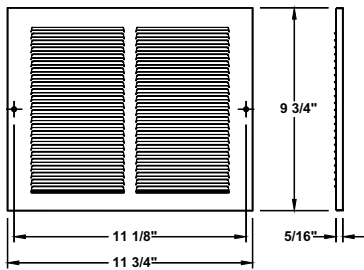
1. Choose unobstructed 2 x 4 stud wall cavity adjacent to shower and install fan unit between studs.
2. Install supply elbow in stud wall through shower tile and attach flexible duct between elbow and fan unit.
3. Wire fan unit to included adjustable timer control and attach rectangular intake grille.
4. Attach round supply grille on inside of shower and rotate in desired direction.

SD200 Remote Mount Installation

1. Install fan in attic or adjoining cabinet and wire to adjustable timer control.
2. Install included supply elbow in stud wall through shower tile and attach flexible duct between elbow and fan supply side.
3. Install intake grille in ceiling or cabinet and duct to fan intake side.
4. Attach supply grille on inside of shower and rotate in desired direction.

SD140 Dimensions

Intake Grille

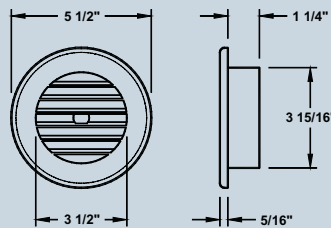


SD140 Fan Specifications:

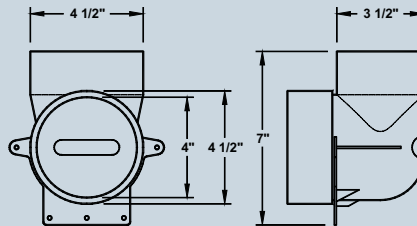
Volts: 120/1/60 AMPS: 0.45
Watts: 40 CFM: 140

Common Parts

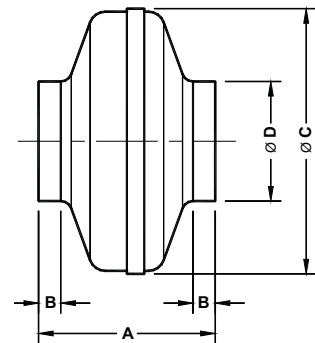
Supply Grille



Elbow, 2" x 4" Wall Mount



SD200 Fan Dimensions



A	B	C	D
7 5/8"	7/8"	9 9/16"	3 15/16"

SD200 Fan Specifications:

Volts: 120/1/60 AMPS: 0.90
Watts: 100 CFM: 200

Sure Dry systems significantly reduce drying time on all shower sizes.*

**Not suitable for use on steam showers.*

Available from:



TJERNLUND PRODUCTS, INC.

1601 Ninth Street White Bear Lake, MN 55110-6794
Phone: 651.426.2993 800.255.4208 Fax: 651.426.9547
Visit our web site: www.tjernlund.com

Copyright © 2012 Tjernlund Products, Inc. All rights reserved. P/N 8500723