



Balance Booster™ Reversible Transfer Fan



**Improve
whole
house
comfort
year
round!**

Problem:

Multi-story homes often have chilly basements and hot upper levels.

Solution:

In summer the Balance Booster transfers cool basement air to your hot upstairs.

In winter the Balance Booster transfers warm upstairs air to your chilly basement.

Activate with wireless remote from anywhere in your house. Reverse airflow in seconds without tools.

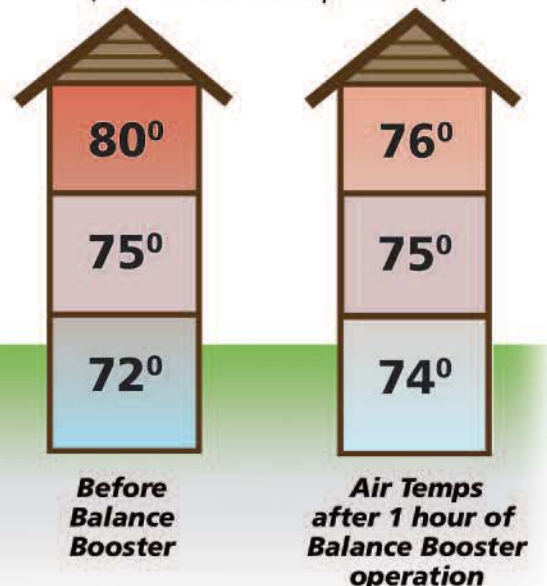
Balance Booster Fan lets you:

- ▶ Sleep cooler and more comfortably upstairs in summer!
- ▶ Enjoy a warmer basement in winter!
- ▶ Save Energy Year Round!

The quiet, efficient Balance Booster Fan helps even out temperatures throughout your home at a fraction of the cost of operating spot heating and cooling equipment or adjusting your whole house thermostat.



**Typical Cooling Season
Temperature Changes with
the Balance Booster™**
(Each level is 800 square feet)



Balance Booster™ Reversible Transfer Fan

Easy Installation

1. Determine route for duct.

Typical Duct Routes

- Existing Chases
- Back of Closets
- Framed and Dry Walled Corners
- Exterior Chases
- Exterior PVC
- Stairwells
- Abandoned Chimneys (Using 4" duct moves 150 cfm up to 50 equivalent feet)

2. Mount Easy Flip™ chassis in an accessible location and connect duct to 4" collars.



3. Install grilles at each end of duct. For best results, install downstairs grille near floor and upstairs grille near ceiling.



4. Slide fan into Easy Flip™ chassis with airflow in desired direction.



5. Plug fan into Switch It™ receiver and then plug receiver into outlet. Control from anywhere in house with wireless remote.



Balance Booster Kit

Includes:

- 4" High Performance Inline Fan with 6' Power Cord
- Easy Flip™ Mounting Chassis
- 4" White, Adjustable Round Grilles (2)
- Switch It™ Plug-in Wireless Receiver and Remote Control
- Mounting Hardware

Accessories

Model 950-9350

3" PVC Coupler Kit for PVC ducting.

Note: Run majority of PVC duct in 4" for best performance.



Model SCP plug-in speed control



Model BB1 Transfer Fan Electrical

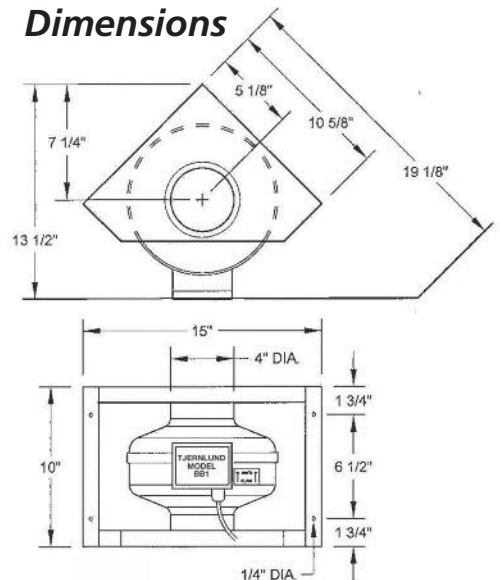
Fan

- 120 Volts
- 100 Watts
- 0.9 Amps
- 150 CFM @ 50 Equivalent Feet
- 6' Grounded Power Cord

Switch It™ Wireless Control

- 15 Amps Max
- 1800 Watts Max
- Range: Up to 80 feet through walls and floors

Dimensions



Easily Reverse Air Flow Direction

Pull Fan from chassis



Flip Fan 180°



Slide Fan into chassis



Also Available from Tjernlund

Economical Duct Booster® Supply & Exhaust Fans

Boost air flow in hard to heat or cool rooms

- ◆ Standard and high pressure fans available
- ◆ Use on round, rectangular, rigid & flex duct
- ◆ Speed control & automatic operation options
- ◆ Quiet, smooth operation

AireShare™ Transfer Fans

Make Hot or Cold Rooms More Comfortable

Room-to-Room **Level-to-Level**

Perfect for

- Split System, PTAC & Window A/C
- Space Heaters, Stoves, Fireplaces & cool lower levels

Available from:



TJERNLUND PRODUCTS, INC.

1601 Ninth Street White Bear Lake, MN 55110-6794
 Phone: 651.426.2993 800.255.4208 Fax: 651.426.9547
 Visit our web site: www.tjernlund.com

Copyright © 2012 Tjernlund Products, Inc. All rights reserved. P/N 8500500