



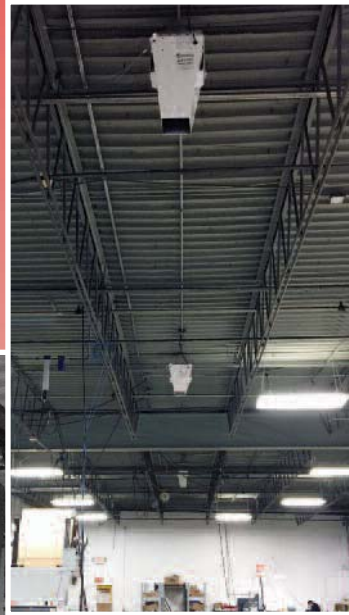
Compact, High Velocity

D-STRAT™ Fans

DSF2-Series

Perfect for:

- Gyms
- Warehouses
- Factories
- Automotive Repair
- Grocery
- Big Box Stores
- Entryway Floor Drying



The Problem:

Stratification in high ceiling warehouse and commercial spaces creates huge temperature differentials between the ceiling and the occupied floor level. It is typical for a differential of 20 degrees or more to exist.

The Solution:

D-STRAT 30 watt, 540 CFM high velocity fans can reduce this differential by 50% or more, shortening thermostat cycles and making occupants more comfortable.



White Model
DSF2W

Consider These Features:

- Costs less than ½ cent per hour to operate based on average U.S. electrical rates.
- Unlike conventional paddle blade ceiling fans there are no moving blades to be seen or bumped into. The 2000 FPM discharge velocity moves air effectively in a defined column to the floor area. 1.5 some fans can be used in office areas and other noise sensitive environments.
- Compact design can be installed between roof trusses for full access to upper level storage racking. Heavy gauge swivel mount allows fan to be aimed to avoid obstructions, focused on work areas or directed at entry areas to spot dry wet floors.
- Integral fire safety switch disrupts fan operation if ambient temperatures exceed 196°F.



Black Model
DSF2B



Compact, High Velocity D-STRAT™ Fans

Optional Accessories:

Multi-Voltage Transformer

Converts all typical ceiling level power sources to 120 VAC.
(Single Phase 208,220,230,240, 277 & 480 Volt)
P/N: DSF2TR



120 Volt Wall Mount Speed Control

Rated for use with up to 20 DSF2 fans.
P/N: 950-8415



Fan Guard Kit

Shields fan blades from incidental contact.
P/N: DSF2FG



How many fans do you need?

Destratification fans are constantly fighting warm air that is naturally rising and concentrating near the ceiling level. As ceiling heights increase so does the volume of stratified air and the resulting temperature differential compared to the floor level. For this reason the number of fans we suggest for a given square foot area increases as ceiling heights increase.

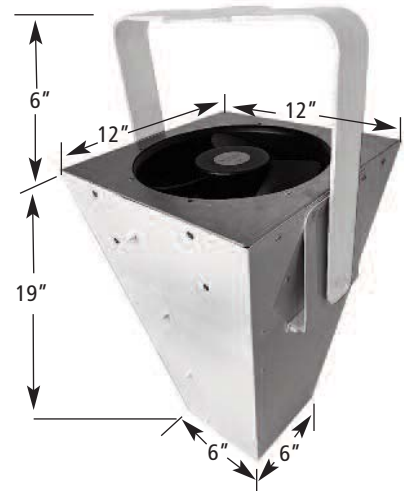
Use this table as a guide for the suggested number of DSF2 fans that should be installed to achieve effective destratification for your application. Space fans evenly with an open path to the floor from the fan discharge.

Height to Ceiling Deck	Ft ² Floor Space/Fan
16	1200
18	1000
20	900
22	800
24	700

Divide Square feet of area to be served by the square feet in table based on ceiling height. Round to closest whole number for suggested quantity of fans.

Example: 7500 square foot area with 16' ceilings.
7500/1200 (16 foot ceiling height in table) = 6.25
This application would need 6 DSF2 fans.

Dimensions



Weight: 17.5 Lbs

What's in the box:

- Fan with 6-foot grounded power cord
- Mounting kit with all necessary hardware
- 5-foot quick-lock safety cable



TJERNLUND PRODUCTS, INC.

1601 Ninth Street White Bear Lake, MN 55110-6794
Phone: 651.426.2993 800.255.4208 Fax: 651.426.9547
Visit our web site: tjernlund.com Email: fanmail@tjfans.com

